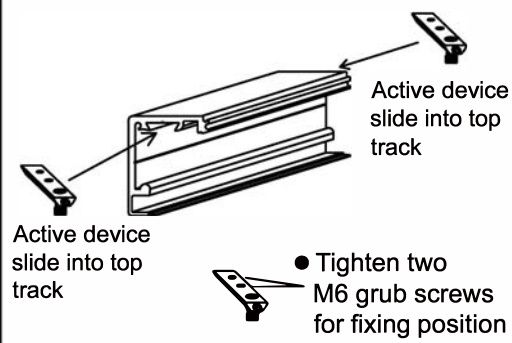
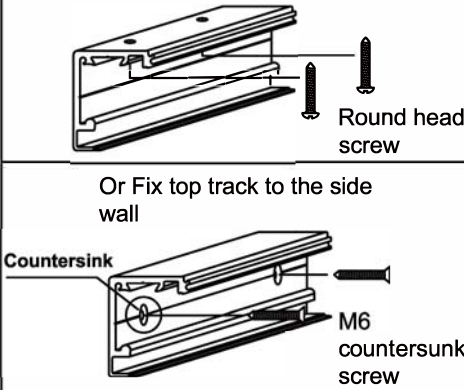


GCC BRISA-160 system installation manual

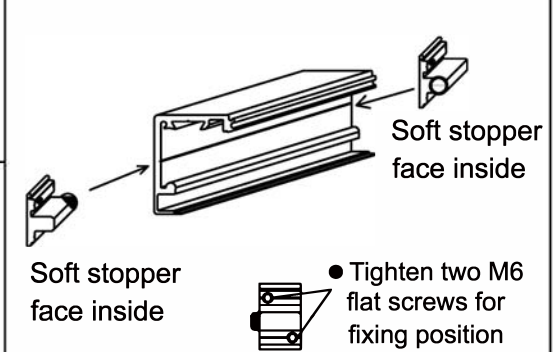
1 Slide the Active device into top track



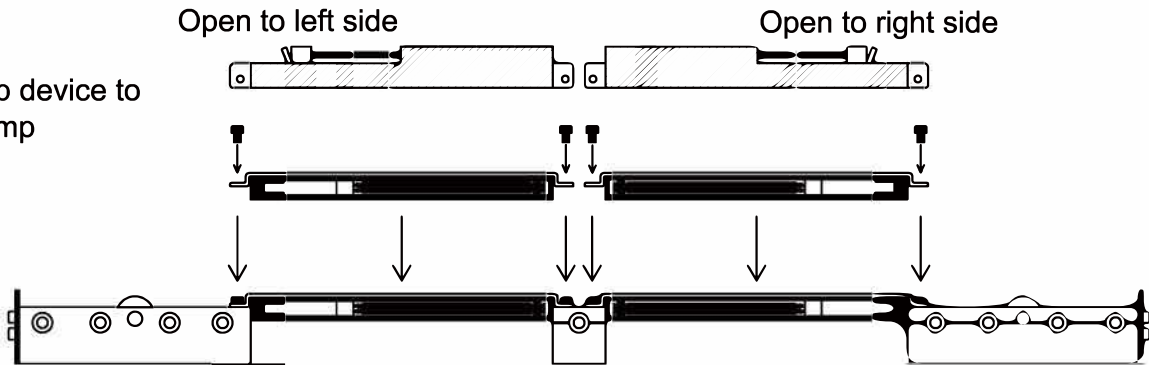
2 Fix top track to the top construction (make sure the top track is level)



3 Slide the stopper into the top track, and the soft material face inside



4 Assemble the anti-bump device to the glass clamp

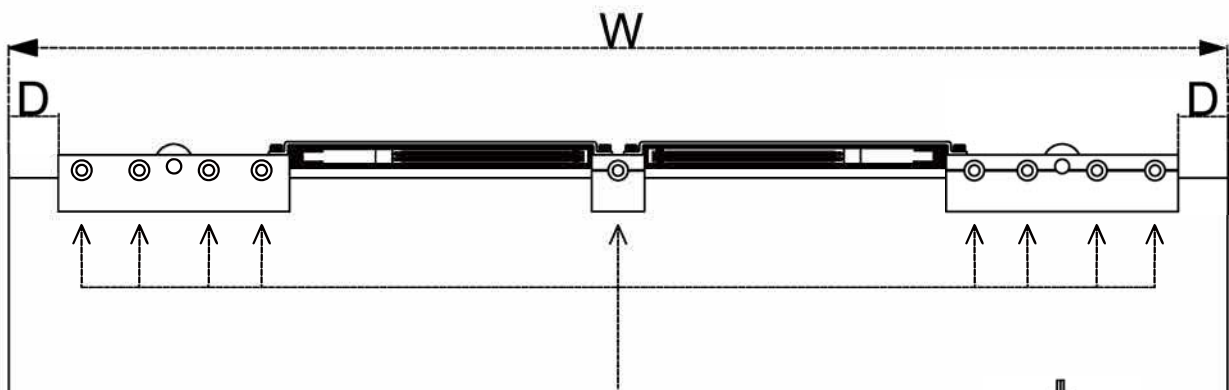


5 Fix the glass clamp with anti-bump device to glass panel (make sure there is no gap between the glass and the clamp)

W : total panel's width

D : Distance from the glass edge to the clamp

$$D = (W - 678\text{mm}) / 2$$



• Tighten 9 hex screws levelly with 15 Nm.

(Use GCC HW-001 3 ways wrench recommended)



• Glass width min. is **740mm** with both ends soft stop function.

6 BG-160 bottom guide fixing (fix female part to floor first)

Plumb bob

30

BG-160 female part

T	#
8mm	26.5mm
10mm	25.5mm

7

Carefully move the panel to the top track

8 Fix the BG-160 male part to female part and adjust the room to suit your glass thickness

2.5mm

Glass thickness from 8mm to 12mm adjustable

9 Adjust the bottom gap if necessary (4mm adjustment) And fix the anti-lifting plate afterward

4mm

Tight these two screws

3mm

- Tighten up the bottom set screw while the bottom gap is fine

10 Adjust the active device height and move the panel to make sure the active device is just above the clamp about 1mm

grub screw

6mm

1mm

11 Tight the grub screw when the height adjustment is done and make sure the active device is functional with soft stop device.

3mm

12 Fix both ends caps to the track

- Use rubber hammer to assist


13 Put the aluminum cover onto the track (you may hear a "click" sound) And make sure every screw is tightened before you leave

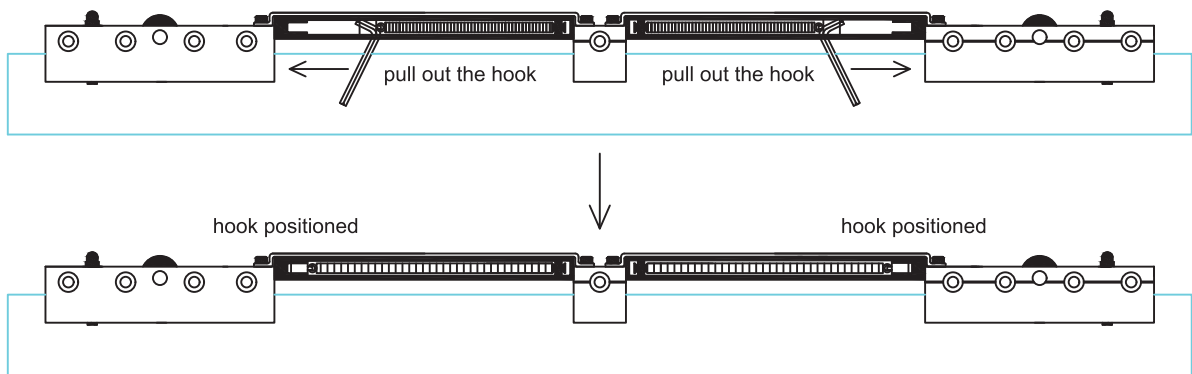
"click" sound

BRISA-160 Installation Q & A

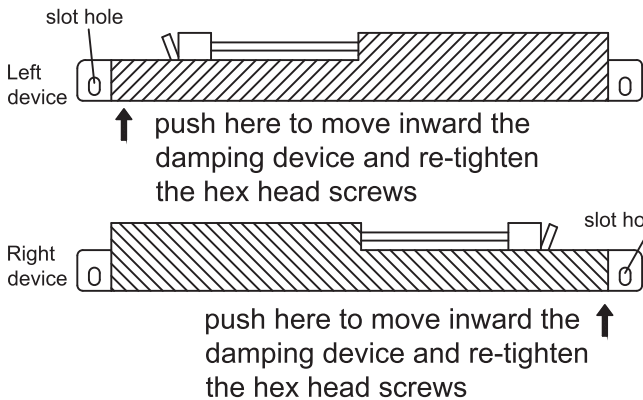
1 The hook of the damping device jump out from the tip end when the door is opening?

A : Firstly, please do not remove the panel to restore the hook of the damping device.

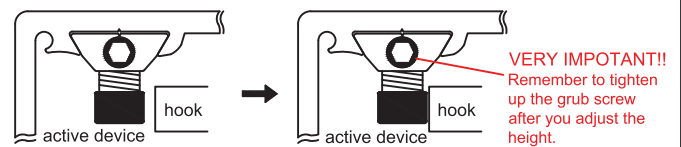
Please take a allen key  3mm recommended to pull out the hook of the damping device and restore it for position.



B : Please notice that the damping device can be push inward or outward to be closer to the active device when you release the hex head screw.



- ① Please release the hex head screw a little bit.
- ② Push the damping device closer to the active device for function.



- ③ Re-tightened all hex head screws.

2 How to move the roller bearing to the top track easier?

