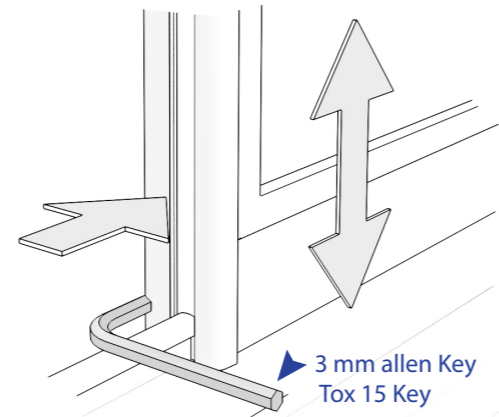


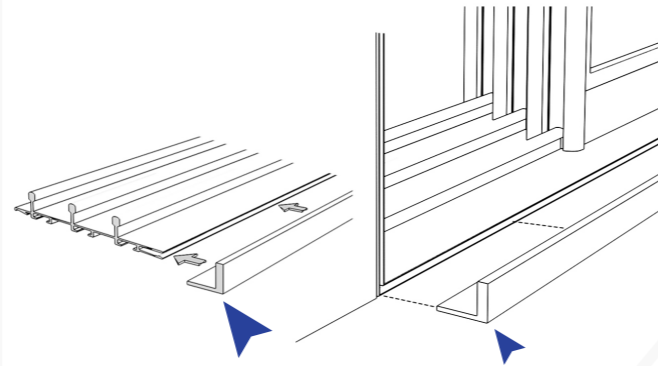
8

Adjust the wheels with 3 mm allen key or Tox 15 key. This should only be necessary if the bottom profile is unlevel.



9

If you bought the floor angel, put this into the gap in the bottom profile.



**INTER
GLAS**

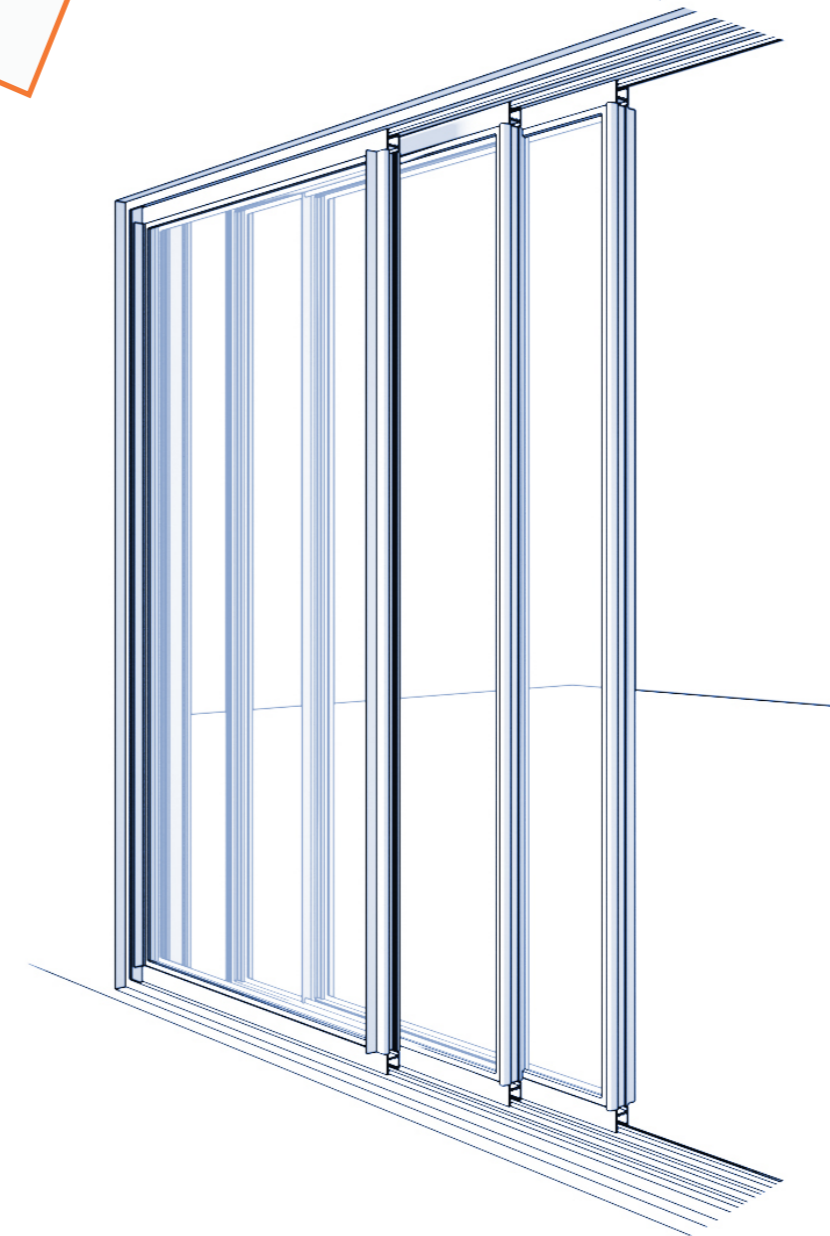
Address:
Interglas Filial
Fabriksgatan 7
412 50 Göteborg
Sverige
(Postadress, ej besöksadress eller
kundmottagning)

Org.nr. 516412-1914
Open: 08.00 - 16.00
Phone: 0295 - 600 809
Email : interglas@interglas.se



**INTER
GLAS**

Installation Instructions for Sliding Doors

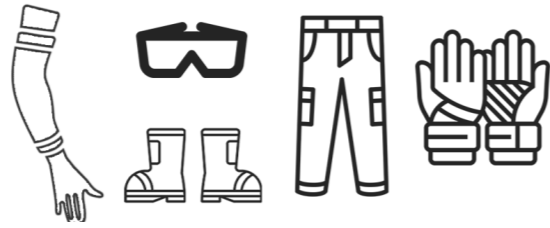


Dear Customer,
We hope that you will be satisfied with your Interglas product.
In order not to break the glass, get injuries or damage other parts,
we recommend you to read this instruction manual carefully.

1

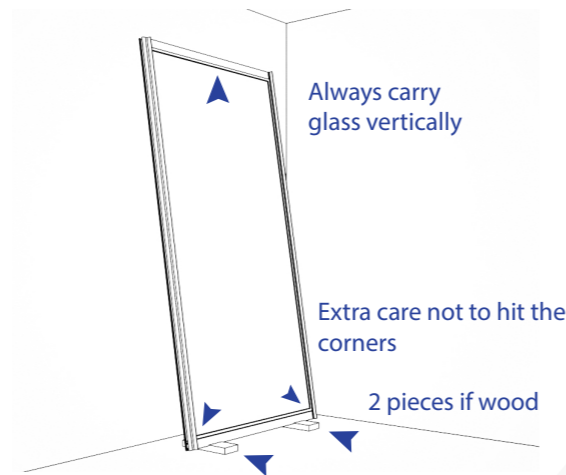
Safety first, make sure you wear the proper clothes:

- Gloves for glass
- Safety shoes
- Sleeves
- Glasses and Long legged pants and a shirt that cover your arms.



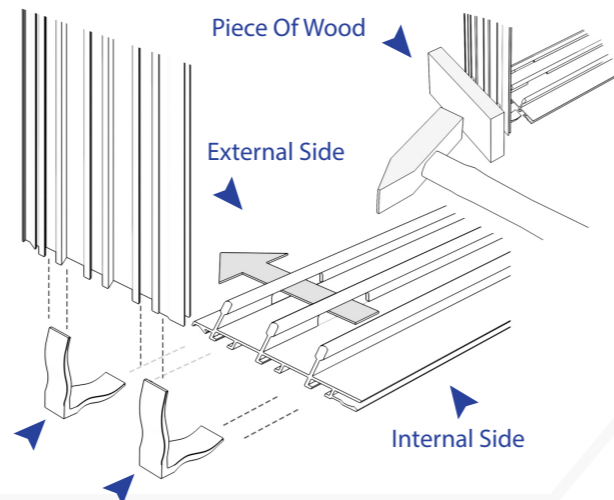
2

Handle the glass with care. Always carry glass vertically. When you place the glass, always put it on 2 pieces of wood or other soft material. Never place the glass directly on tiles, concrete or metal. It will break. Take extra care not to hit the corners. Tempered glass is very sensitive for breaking if you hit the corners.



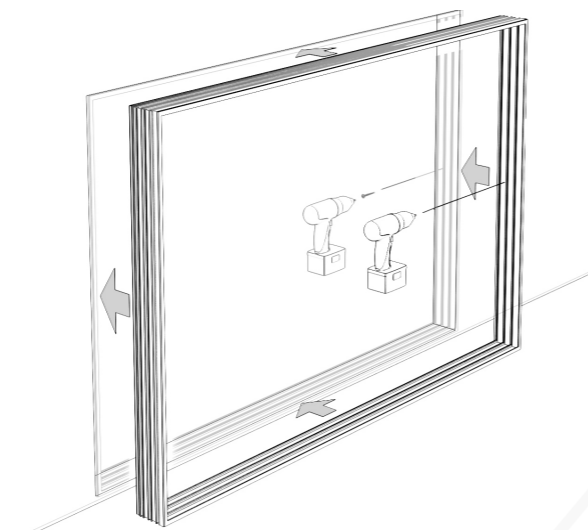
3

Put the corner-angles in the outside track, 2 in each corner, gently knock them in with a hammer, then connect the other frame profile. Knock them together with a hammer, but have a piece of wood in between, so you dont bruise the profile.



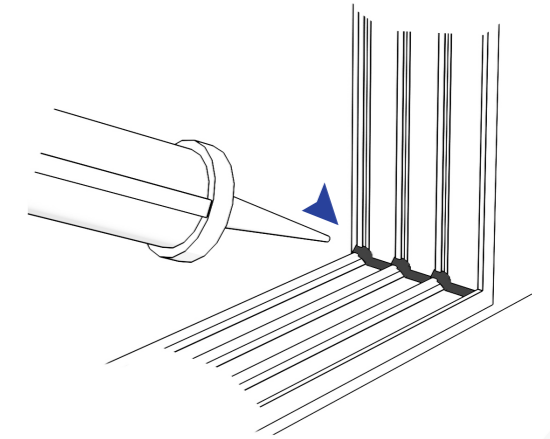
4

First, Drill the holes in the aluminium, then attach it to the wall. Make sure the profile is not bending. Use plastic bricks behind to fill any gab and controle that the post is vertical. Controle the buttom track is horisontaly, then fasten the other side profile same way. Do not use screws in the buttom profile, because water can leak through the holes.



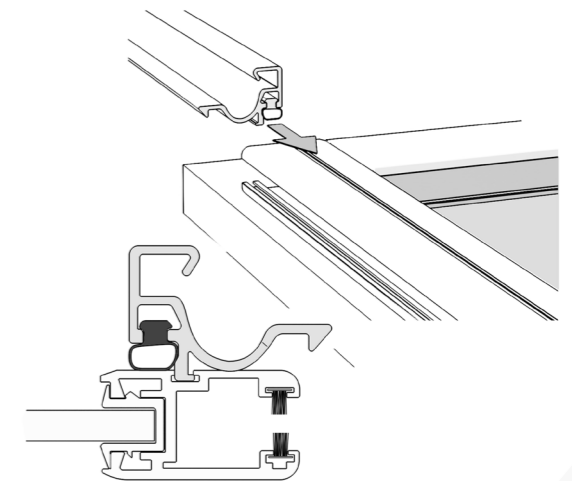
5

Make a small sealing in the corners to make sure that no water is able to run through the conection.



6

Slide in the handle or the lock in the track.



7

Install the doors, start with the outside door, lift them up in the top and place them down on the butom track. Continue with next door and make sure the vertical profiles connect.

