

Determination of SILVERSTAR glazing characteristics

Version information:
Program 3.10
Database 3.54
Output format 3.21

The following characteristics are calculated with the program SILVERSTAR glaCE.

Project:

Company: Interglas

Employee: LA

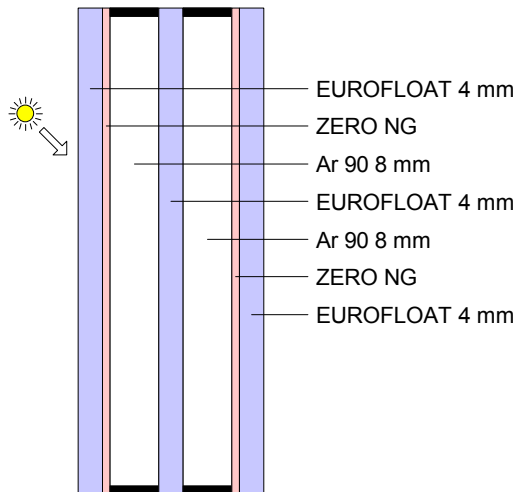
Customer:

Product: 4SZNG4EF4SZNG

Date: 27.10.2020


Glazing:

Window tilt angle: 90 °



Comments:

Calculated glazing characteristics:

Thermal transmittance Ug:	0.9398 W/m ² K	EN 673:2011	
Total solar energy transmittance (solar factor g):	40.861 %	EN 410:2011	
Light transmittance:	64.692 %		
Light reflectance (outside):	21.930 %		
Light reflectance (inside):	21.930 %		
Light absorptance:	13.378 %		
Solar direct transmittance:	34.404 %		
Solar direct reflectance (outside):	41.028 %		
Solar direct absorptance:	24.569 %		
Secondary internal heat transfer factor:	6.457 %		
UV-Transmittance:	11.295 %		
UV-Reflectance:	32.045 %		
UV-Absorptance:	56.660 %		
General colour rendering index (transmission):	95.297		
Selectivity (light transmittance / solar factor g):	1.5832		
Shading coefficient (solar factor g / 0.87):	46.966 %		
Shading coefficient (solar factor g / 0.8):	51.076 %		

The values given are only indicative and subject to change without notice.
They do not represent any guarantee for the performance of the glazing
Calculations are performed according to the European standards EN 410:2011 and EN 673:2011.

Determination of SILVERSTAR glazing characteristics

Version information:
 Program 3.10
 Database 3.54
 Output format 3.21

The following characteristics are calculated with the program SILVERSTAR glaCE.

Project:

Company: Interglas

Employee: LA

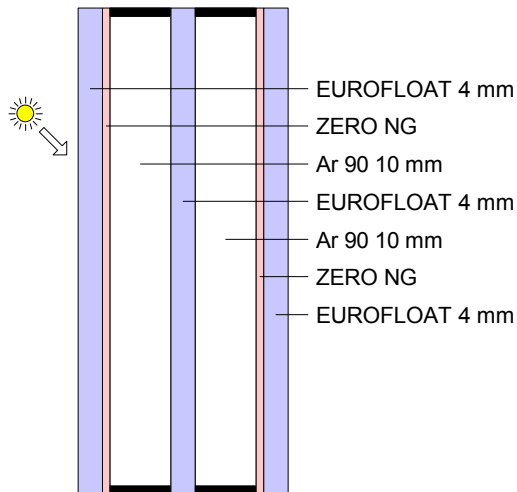
Customer:

Product: 4SZNG4EF4SZNG

Date: 27.10.2020


Glazing:

Window tilt angle: 90 °



Comments:

Calculated glazing characteristics:

Thermal transmittance Ug:	0.7830 W/m ² K	EN 673:2011	
Total solar energy transmittance (solar factor g):	40.882 %	EN 410:2011	
Light transmittance:	64.692 %		
Light reflectance (outside):	21.930 %		
Light reflectance (inside):	21.930 %		
Light absorptance:	13.378 %		
Solar direct transmittance:	34.404 %		
Solar direct reflectance (outside):	41.028 %		
Solar direct absorptance:	24.569 %		
Secondary internal heat transfer factor:	6.478 %		
UV-Transmittance:	11.295 %		
UV-Reflectance:	32.045 %		
UV-Absorptance:	56.660 %		
General colour rendering index (transmission):	95.297		
Selectivity (light transmittance / solar factor g):	1.5824		
Shading coefficient (solar factor g / 0.87):	46.991 %		
Shading coefficient (solar factor g / 0.8):	51.102 %		

The values given are only indicative and subject to change without notice.
 They do not represent any guarantee for the performance of the glazing
 Calculations are performed according to the European standards EN 410:2011 and EN 673:2011.

Determination of SILVERSTAR glazing characteristics

Version information:
 Program 3.10
 Database 3.54
 Output format 3.21

The following characteristics are calculated with the program SILVERSTAR glaCE.

Project:

Company: Interglas

Employee: LA

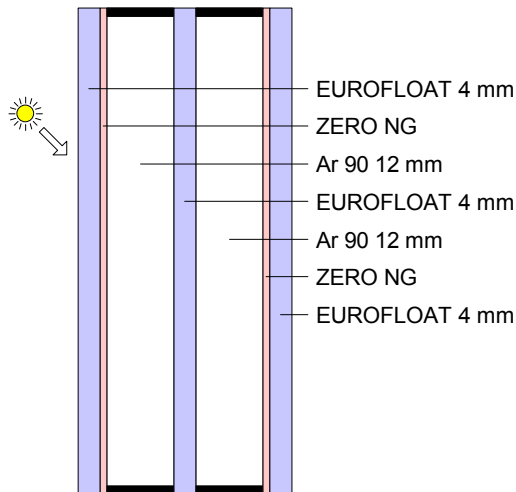
Customer:

Product: 4SZNG4EF4SZNG

Date: 27.10.2020


Glazing:

Window tilt angle: 90 °



Comments:

Calculated glazing characteristics:

Thermal transmittance Ug:	0.6722 W/m ² K	EN 673:2011	
Total solar energy transmittance (solar factor g):	40.897 %	EN 410:2011	
Light transmittance:	64.692 %		
Light reflectance (outside):	21.930 %		
Light reflectance (inside):	21.930 %		
Light absorptance:	13.378 %		
Solar direct transmittance:	34.404 %		
Solar direct reflectance (outside):	41.028 %		
Solar direct absorptance:	24.569 %		
Secondary internal heat transfer factor:	6.493 %		
UV-Transmittance:	11.295 %		
UV-Reflectance:	32.045 %		
UV-Absorptance:	56.660 %		
General colour rendering index (transmission):	95.297		
Selectivity (light transmittance / solar factor g):	1.5818		
Shading coefficient (solar factor g / 0.87):	47.008 %		
Shading coefficient (solar factor g / 0.8):	51.121 %		

The values given are only indicative and subject to change without notice.
 They do not represent any guarantee for the performance of the glazing
 Calculations are performed according to the European standards EN 410:2011 and EN 673:2011.

Determination of SILVERSTAR glazing characteristics

Version information:
 Program 3.10
 Database 3.54
 Output format 3.21

The following characteristics are calculated with the program SILVERSTAR glaCE.

Project:

Company: Interglas

Employee: LA

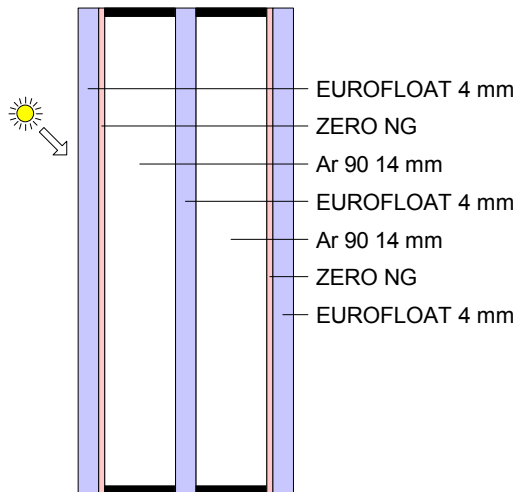
Customer:

Product: 4SZNG4EF4SZNG

Date: 27.10.2020


Glazing:

Window tilt angle: 90 °



Comments:

Calculated glazing characteristics:

Thermal transmittance Ug:	0.5899 W/m ² K	EN 673:2011	
Total solar energy transmittance (solar factor g):	40.908 %	EN 410:2011	
Light transmittance:	64.692 %		
Light reflectance (outside):	21.930 %		
Light reflectance (inside):	21.930 %		
Light absorptance:	13.378 %		
Solar direct transmittance:	34.404 %		
Solar direct reflectance (outside):	41.028 %		
Solar direct absorptance:	24.569 %		
Secondary internal heat transfer factor:	6.505 %		
UV-Transmittance:	11.295 %		
UV-Reflectance:	32.045 %		
UV-Absorptance:	56.660 %		
General colour rendering index (transmission):	95.297		
Selectivity (light transmittance / solar factor g):	1.5814		
Shading coefficient (solar factor g / 0.87):	47.021 %		
Shading coefficient (solar factor g / 0.8):	51.135 %		

The values given are only indicative and subject to change without notice.
 They do not represent any guarantee for the performance of the glazing
 Calculations are performed according to the European standards EN 410:2011 and EN 673:2011.

Determination of SILVERSTAR glazing characteristics

Version information:
 Program 3.10
 Database 3.54
 Output format 3.21

The following characteristics are calculated with the program SILVERSTAR glaCE.

Project:

Company: Interglas

Employee: LA

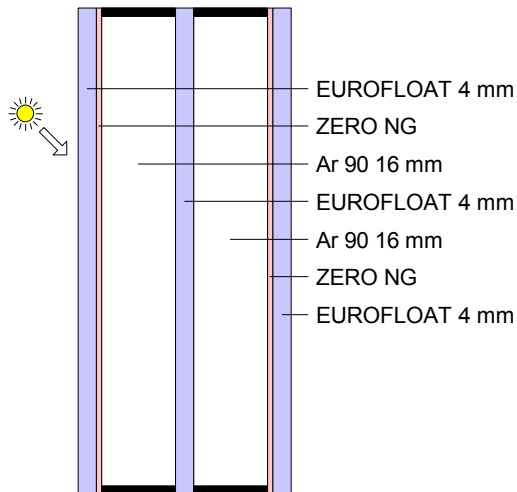
Customer:

Product: 4SZNG4EF4SZNG

Date: 27.10.2020


Glazing:

Window tilt angle: 90 °



Comments:

Calculated glazing characteristics:

Thermal transmittance Ug:	0.5263 W/m ² K	EN 673:2011	
Total solar energy transmittance (solar factor g):	40.917 %	EN 410:2011	
Light transmittance:	64.692 %		
Light reflectance (outside):	21.930 %		
Light reflectance (inside):	21.930 %		
Light absorptance:	13.378 %		
Solar direct transmittance:	34.404 %		
Solar direct reflectance (outside):	41.028 %		
Solar direct absorptance:	24.569 %		
Secondary internal heat transfer factor:	6.513 %		
UV-Transmittance:	11.295 %		
UV-Reflectance:	32.045 %		
UV-Absorptance:	56.660 %		
General colour rendering index (transmission):	95.297		
Selectivity (light transmittance / solar factor g):	1.5811		
Shading coefficient (solar factor g / 0.87):	47.031 %		
Shading coefficient (solar factor g / 0.8):	51.146 %		

The values given are only indicative and subject to change without notice.
 They do not represent any guarantee for the performance of the glazing
 Calculations are performed according to the European standards EN 410:2011 and EN 673:2011.

Determination of SILVERSTAR glazing characteristics

Version information:
 Program 3.10
 Database 3.54
 Output format 3.21

The following characteristics are calculated with the program SILVERSTAR glaCE.

Project:

Company: Interglas

Employee: LA

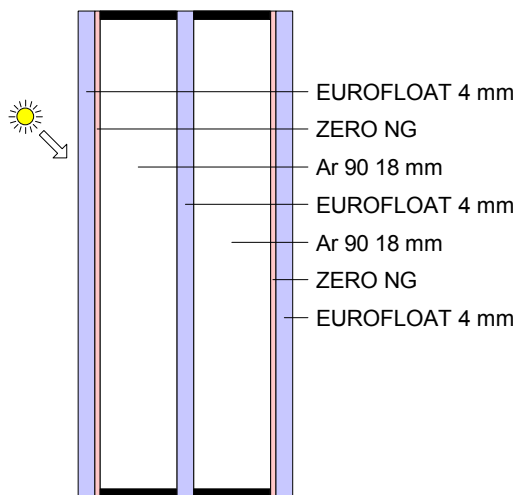
Customer:

Product: 4SZNG4EF4SZNG

Date: 27.10.2020


Glazing:

Window tilt angle: 90 °



Comments:

Calculated glazing characteristics:

Thermal transmittance Ug:	0.4756 W/m ² K	EN 673:2011	
Total solar energy transmittance (solar factor g):	40.924 %	EN 410:2011	
Light transmittance:	64.692 %		
Light reflectance (outside):	21.930 %		
Light reflectance (inside):	21.930 %		
Light absorptance:	13.378 %		
Solar direct transmittance:	34.404 %		
Solar direct reflectance (outside):	41.028 %		
Solar direct absorptance:	24.569 %		
Secondary internal heat transfer factor:	6.520 %		
UV-Transmittance:	11.295 %		
UV-Reflectance:	32.045 %		
UV-Absorptance:	56.660 %		
General colour rendering index (transmission):	95.297		
Selectivity (light transmittance / solar factor g):	1.5808		
Shading coefficient (solar factor g / 0.87):	47.039 %		
Shading coefficient (solar factor g / 0.8):	51.155 %		

The values given are only indicative and subject to change without notice.
 They do not represent any guarantee for the performance of the glazing
 Calculations are performed according to the European standards EN 410:2011 and EN 673:2011.

Determination of SILVERSTAR glazing characteristics

Version information:
 Program 3.10
 Database 3.54
 Output format 3.21

The following characteristics are calculated with the program SILVERSTAR glaCE.

Project:

Company: Interglas

Employee: LA

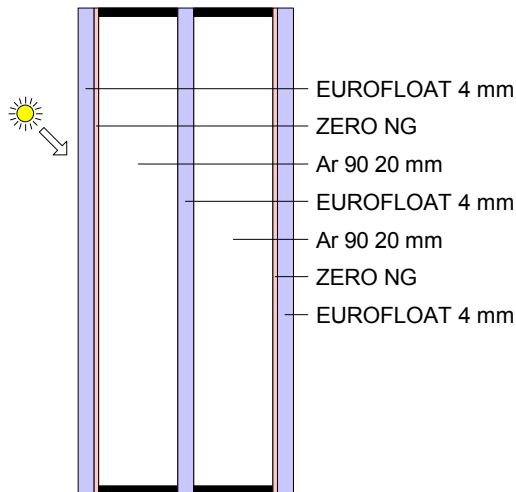
Customer:

Product: 4SZNG4EF4SZNG

Date: 27.10.2020


Glazing:

Window tilt angle: 90 °



Comments:

Calculated glazing characteristics:

Thermal transmittance Ug:	0.4695 W/m ² K	EN 673:2011	
Total solar energy transmittance (solar factor g):	40.925 %	EN 410:2011	
Light transmittance:	64.692 %		
Light reflectance (outside):	21.930 %		
Light reflectance (inside):	21.930 %		
Light absorptance:	13.378 %		
Solar direct transmittance:	34.404 %		
Solar direct reflectance (outside):	41.028 %		
Solar direct absorptance:	24.569 %		
Secondary internal heat transfer factor:	6.521 %		
UV-Transmittance:	11.295 %		
UV-Reflectance:	32.045 %		
UV-Absorptance:	56.660 %		
General colour rendering index (transmission):	95.297		
Selectivity (light transmittance / solar factor g):	1.5808		
Shading coefficient (solar factor g / 0.87):	47.040 %		
Shading coefficient (solar factor g / 0.8):	51.156 %		

The values given are only indicative and subject to change without notice.
 They do not represent any guarantee for the performance of the glazing
 Calculations are performed according to the European standards EN 410:2011 and EN 673:2011.

Determination of SILVERSTAR glazing characteristics

Version information:
 Program 3.10
 Database 3.54
 Output format 3.21

The following characteristics are calculated with the program SILVERSTAR glaCE.

Project:

Company: Interglas

Employee: LA

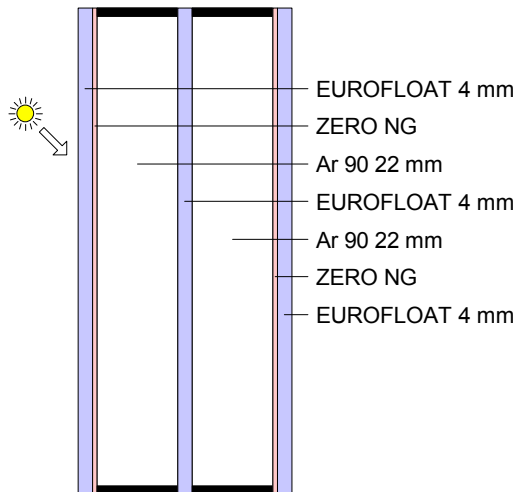
Customer:

Product: 4SZNG4EF4SZNG

Date: 27.10.2020


Glazing:

Window tilt angle: 90 °



Comments:

Calculated glazing characteristics:

Thermal transmittance Ug:	0.4749 W/m ² K	EN 673:2011	
Total solar energy transmittance (solar factor g):	40.924 %	EN 410:2011	
Light transmittance:	64.692 %		
Light reflectance (outside):	21.930 %		
Light reflectance (inside):	21.930 %		
Light absorptance:	13.378 %		
Solar direct transmittance:	34.404 %		
Solar direct reflectance (outside):	41.028 %		
Solar direct absorptance:	24.569 %		
Secondary internal heat transfer factor:	6.520 %		
UV-Transmittance:	11.295 %		
UV-Reflectance:	32.045 %		
UV-Absorptance:	56.660 %		
General colour rendering index (transmission):	95.297		
Selectivity (light transmittance / solar factor g):	1.5808		
Shading coefficient (solar factor g / 0.87):	47.039 %		
Shading coefficient (solar factor g / 0.8):	51.155 %		

The values given are only indicative and subject to change without notice.
 They do not represent any guarantee for the performance of the glazing
 Calculations are performed according to the European standards EN 410:2011 and EN 673:2011.

Determination of SILVERSTAR glazing characteristics

Version information:
 Program 3.10
 Database 3.54
 Output format 3.21

The following characteristics are calculated with the program SILVERSTAR glaCE.

Project:

Company: Interglas

Employee: LA

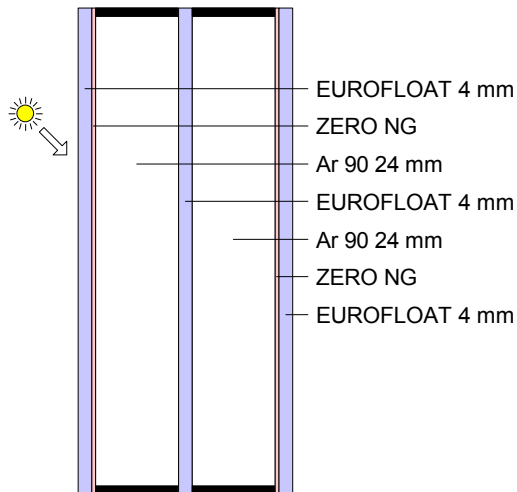
Customer:

Product: 4SZNG4EF4SZNG

Date: 27.10.2020


Glazing:

Window tilt angle: 90 °



Comments:

Calculated glazing characteristics:

Thermal transmittance Ug:	0.4799 W/m ² K	EN 673:2011	
Total solar energy transmittance (solar factor g):	40.923 %	EN 410:2011	
Light transmittance:	64.692 %		
Light reflectance (outside):	21.930 %		
Light reflectance (inside):	21.930 %		
Light absorptance:	13.378 %		
Solar direct transmittance:	34.404 %		
Solar direct reflectance (outside):	41.028 %		
Solar direct absorptance:	24.569 %		
Secondary internal heat transfer factor:	6.519 %		
UV-Transmittance:	11.295 %		
UV-Reflectance:	32.045 %		
UV-Absorptance:	56.660 %		
General colour rendering index (transmission):	95.297		
Selectivity (light transmittance / solar factor g):	1.5808		
Shading coefficient (solar factor g / 0.87):	47.038 %		
Shading coefficient (solar factor g / 0.8):	51.154 %		

The values given are only indicative and subject to change without notice.
 They do not represent any guarantee for the performance of the glazing
 Calculations are performed according to the European standards EN 410:2011 and EN 673:2011.